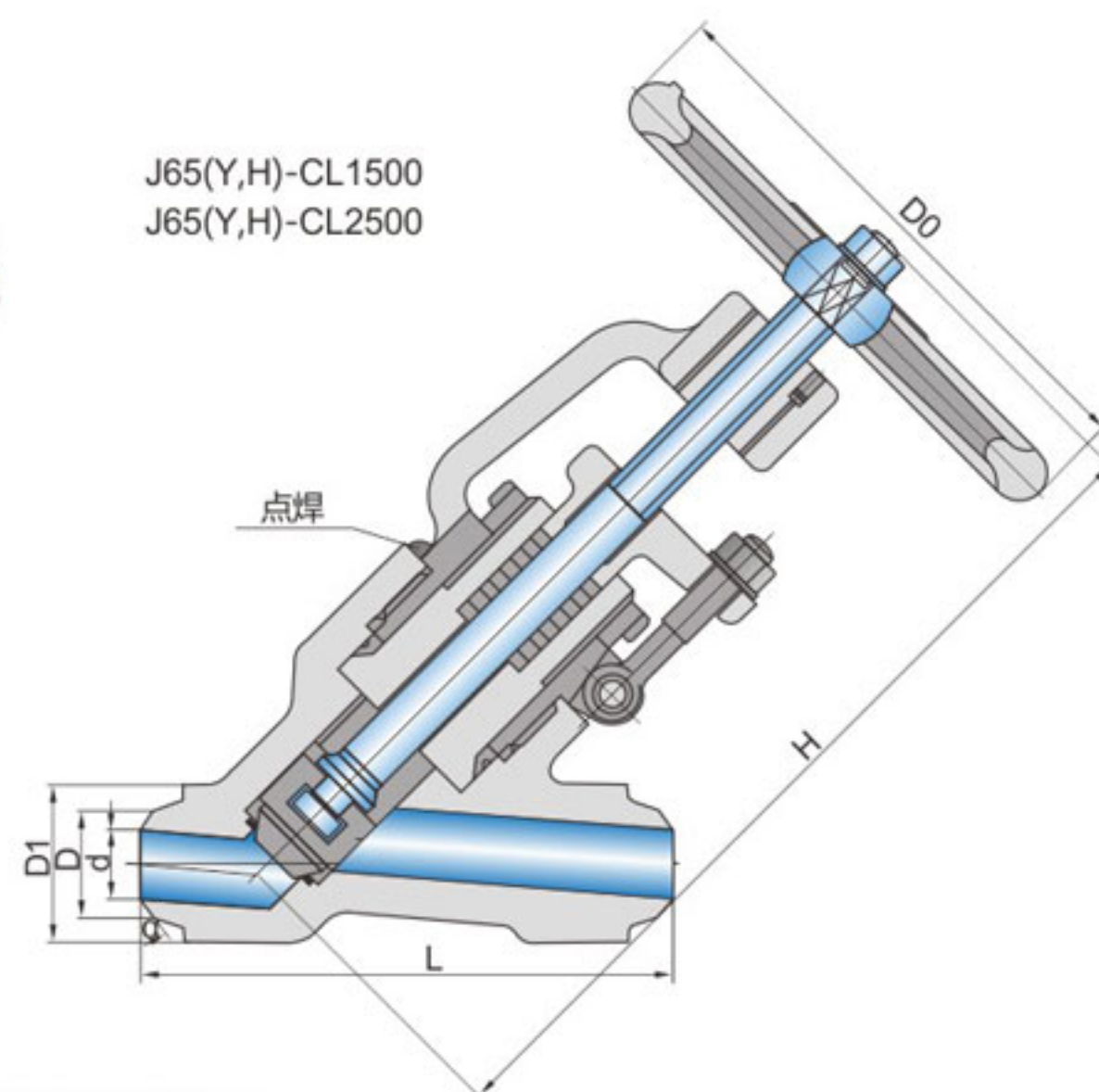


• 直流、对焊、自密封式截止阀(BW型)



J65(Y,H)-CL1500  
J65(Y,H)-CL2500

性能特点

1. 阀体阀盖为整体锻制而成，强度高，造型美观，材质可靠。
2. 中腔采用自紧密封结构，压力越高，密封性越好。独特的不锈钢自密封圈，拆装方便，密封可靠。
3. 阀杆表面经超强致密耐磨处理，耐磨耐蚀，启闭磨擦小，确保产品无外漏之虞。

Features Of Performance

1. Both body and bonnet are integrally forged, high strength, nice model, reliable material.
2. The middle cavity is of a self tightly sealed structure, the higher the pressure, the better the tightness. Unique stainless steel seal-seal ring, easily disassembled and assembled and reliably sealed
3. The stem surface is processed with the way of extra-strength caused sealing and wear-resisting, wearable, small open-close friction, making it surely without leak.

主要外形尺寸和连接尺寸 Main Dimensions And Connection Dimensions

J65(Y, H)-CL1500

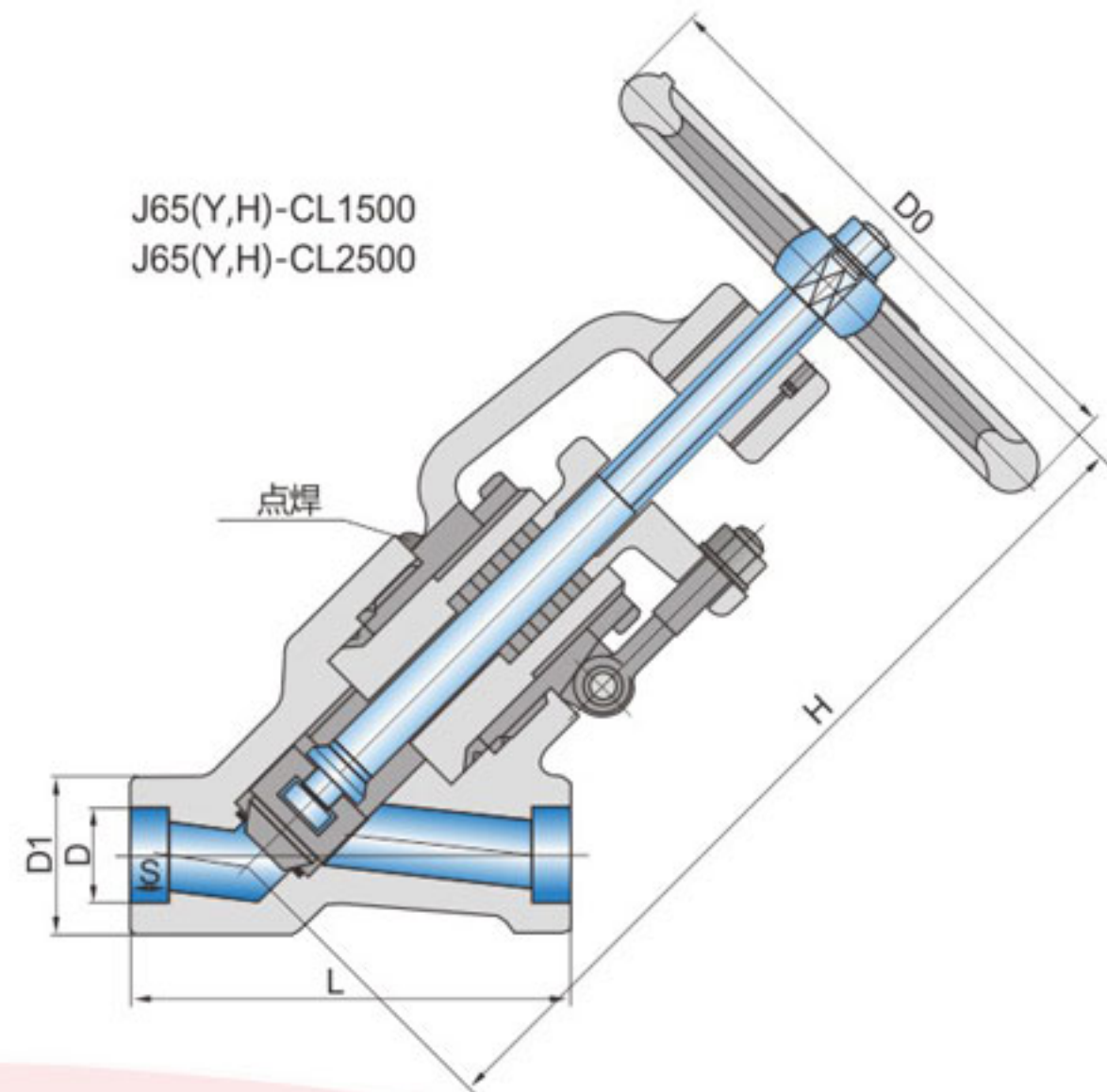
规格 specification	尺寸 Size	D	D1	d	$\alpha$	H	L	D0
15		24	56	15	37.5°	315	190	200
20		32	56	19	37.5°	315	190	200
25		38	56	24	37.5°	315	190	200
32		48	82	30	37.5°	435	220	240
40		52	82	34	37.5°	435	220	280
50		66	90	42	37.5°	480	250	320

J65(Y, H)-CL2500

规格 specification	尺寸 Size	D	D1	d	$\alpha$	H	L	D0
15		24	56	15	37.5°	315	190	200
20		32	56	19	37.5°	315	190	200
25		38	56	20	37.5°	315	190	200
32		48	82	29	37.5°	435	220	240
40		52	82	30	37.5°	435	220	280
50		66	90	39	37.5°	480	250	320

# Socket-welded, Direct-flow, Self-sealed Globe Valve (Model BW)

## • 直流、对焊、自密封式截止阀(BW型)



### 性能特点

1. 阀体阀盖为整体锻制而成，强度高，造型美观，材质可靠。
2. 中腔采用自紧密封结构，压力越高，密封性越好。独特的不锈钢自密封圈，拆装方便，密封可靠。
3. 阀杆表面经超强致密耐磨处理，耐磨耐蚀，启闭摩擦小，确保产品无外漏之虞。

### Features Of Performance

1. Both body and bonnet are integrally forged, high strength, nice model, reliable material.
2. The mid the higher the pressure, the better the tightness. Unique stainless steel seal-seal ring, easily disassembled and assembled and reliably sealed
3. The stem surface is processed with the way of extra-strength caused sealing and wear-resisting, wearable, small open-close friction, making it surely without leak.

### 主要外形尺寸和连接尺寸 Main Dimensions And Connection Dimensions

#### J65(Y, H)-CL1500

规格 specification	尺寸 Size	D	D1	H	L	S	D0
15		22	56	315	155	13	200
20		27	56	315	155	13	200
25		34	56	315	155	13	200
32		43	82	435	210	13	240
40		49	82	435	210	13	280
50		61	90	480	250	16	320

#### J65(Y, H)-CL2500

规格 specification	尺寸 Size	D	D1	H	L	S	D0
15		22	56	315	155	13	200
20		27	56	315	155	13	200
25		34	56	315	155	13	200
32		43	82	435	210	13	240
40		49	82	435	210	13	280
50		61	90	480	250	16	320