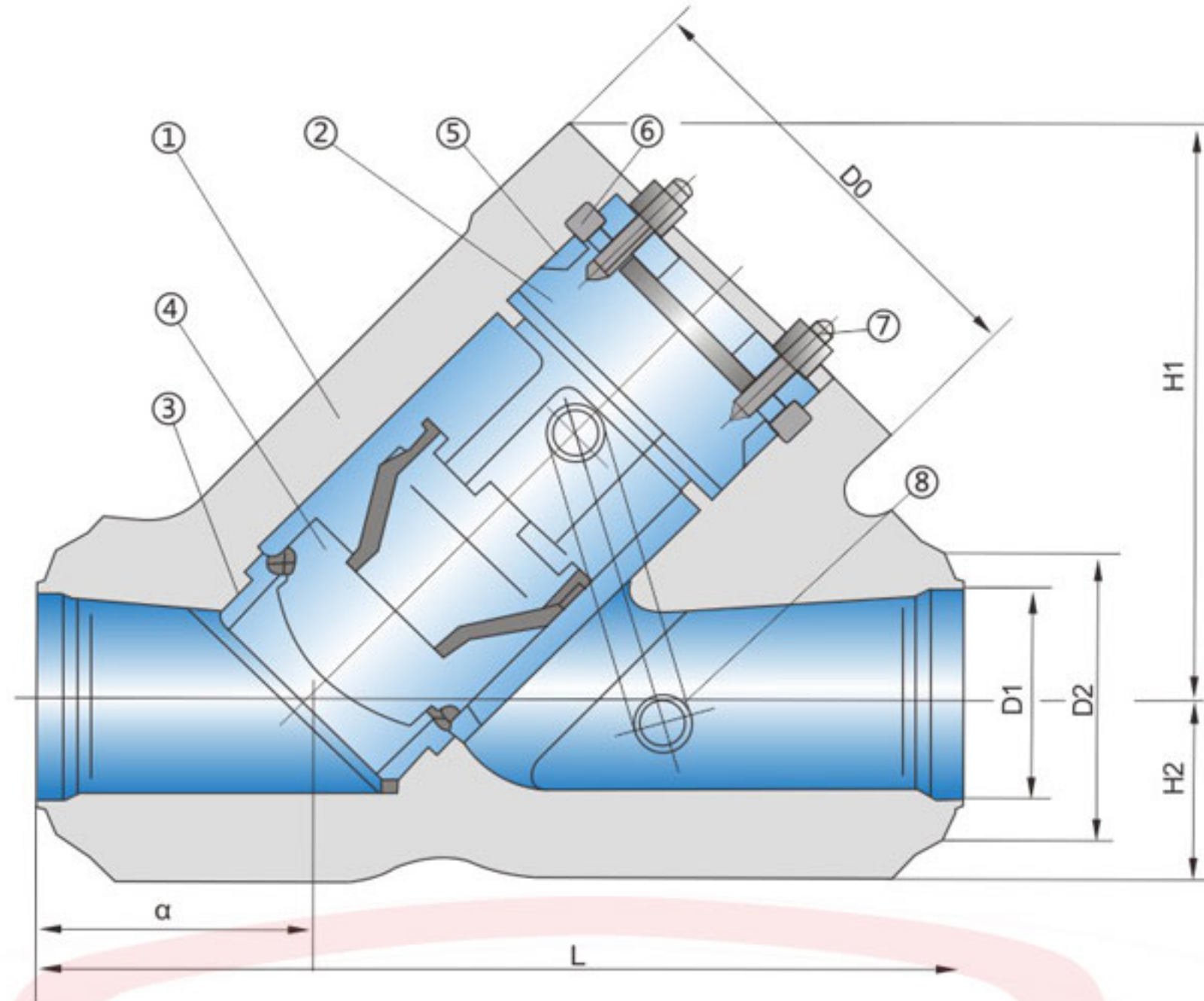


• 电站特殊专用阀门之一 直流式止回阀



用途

安装在水平管道，作为自动防止介质逆流的安全装置。

结构简述

1. 阀瓣作升降运动，连通管使阀瓣的上腔与阀门出口连通，在阀瓣升起与回落时，减少了冲击和振动，并使阀瓣达到全行程。
2. 阀体为“Y”型，阻力小，导向筋上堆焊铁基硬质合金，阀体上腔导向套采用不锈钢材料制成，保证阀瓣动作灵活。
3. 压力自紧式密封机构，靠介质本身压力密封，压力越高，密封性越好。
4. 阀瓣与阀座密封面采用钴基硬质合金等离子喷焊而成，硬度高、抗冲蚀、抗擦伤、经久耐用。

Use

Installed in a horizontal pipe, as a safety device to prevent the media from countercurrent.

Structure Description

1. The valve flap moves up and down, and the connecting pipe communicates the upper chamber of the valve with the valve outlet, reduces the shock and vibration when the valve disc rises and falls, and reaches the whole stroke of the valve.
2. The valve body is "Y" type, the resistance is small, the guide ribs on the surfacing iron-based carbide, the valve body guide sleeve made of stainless steel, to ensure that the valve flap flexible.
3. Pressure from the tight seal mechanism, by the pressure of the media itself sealed, the higher the pressure, the better the sealing.
4. Valve and valve seat sealing surface using cobalt-based carbide plasma spray welding, high hardness, erosion resistance, anti-abrasion, durable.

主要零件材料 Material Formain Parts

件号 Part Number	1	2	3	4	5	6	7	8
零件名称 Part Name	阀体 Body	阀盖 Bonnet	阀座 Seat	阀瓣 Disc	密封圈 Sealing ring	四合环 Snap ring	螺栓 bolt	连接管 Connecting pipe
材料 material	碳钢 Carbon steel	碳钢 Carbon steel	碳钢 Carbon steel	碳钢 Carbon steel	石棉盘根 Asbestos packing	渗氮钢 Nitriding steel	合金钢 Alloy steel	碳钢 Carbon steel

主要外形尺寸和连接尺寸 Main Dimensions And Connection Dimensions

DN(mm)	L	α	H1	H2	D0	D1	D2	h	配管尺寸 Piping size
300	1370	400	238	854	686	306	406	200	$\Phi 406 \times 50$
350	1372	405	258	870	670	326	426	220	$\Phi 426 \times 50$

注：如有产品参数疑问请致电上海电站阀门有限公司详询，电话：021-59222288

Note: If the product parameters, please call our company detailed inquiry, Tel: 021-59222288