

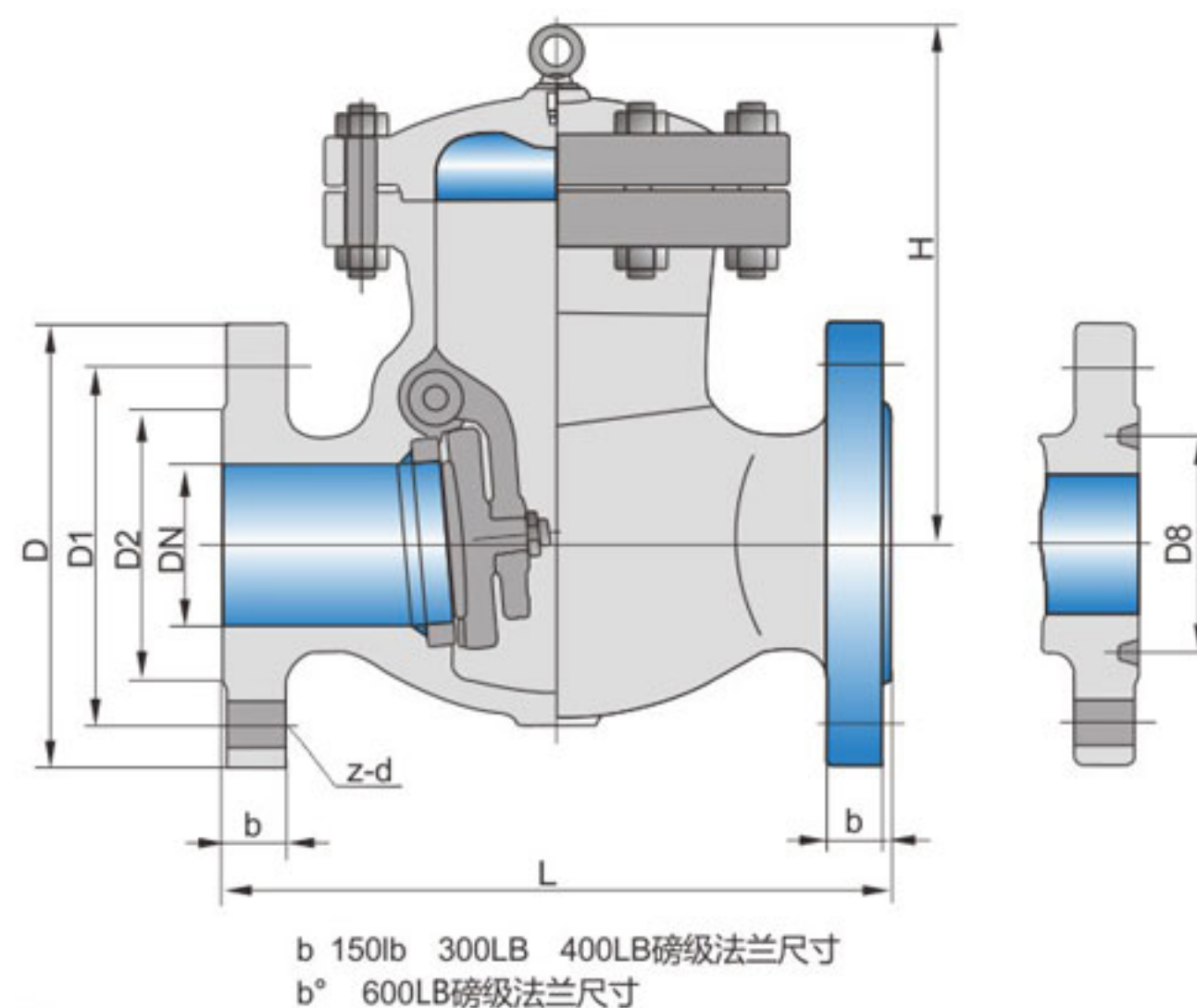
• API旋启式止回阀

试验压力 Test Pressure

试验压力(MPa)	公称压力PN(LB)		
	150LB	300LB	400LB
壳体强度试验	3.1	7.8	10.3
密封试验	2.2	5.6	7.6

主要零件材料 Material Formain Parts

阀体材料 Body material	WCB(C)	CF8(P)	CF8M(R)	WC6, WC9(V)
工作温度(°C) working temp	≤425	≤100	≤100	≤550
适用介质 Applicable media	水、蒸汽、 油品 Water, steam, oil	硝酸类 Nitric acid	醋酸类 acetic acid	水、蒸汽 water, steam



制造验收技术标准

设计制造: ANSIB16.34
结构长度: ANSI B16.5
检验与试验: API 598, API 6D

Manufacturing Acceptance Technical Standards

Design and manufacture: ANSIB16.34
Structure Length: ANSI B16.5
Inspection and Testing: API 598, API 6D

主要外形尺寸和连接尺寸 Main dimensions and connection dimensions

公称口径NPS		单位 unit	L	D	D1	D2	b	z-Φd	H	重量WT(kg)
mm	in									
CL150										
2"	50	in	9.00	6.00	4.75	3.62	0.75	4-0.75	6.34	16.6
		mm	203	157	120.7	92	19.5	4-19	161	
2 1/2"	65	in	8.50	7.00	5.50	4.12	0.88	4-0.75	7.08	22.5
		mm	216	178	139.7	105	22.5	4-19	180	
3"	80	in	9.50	7.50	6.00	5.00	0.94	4-0.75	7.48	32.5
		mm	241	190.5	152.4	127	24	4-19	190	
4"	100	in	11.50	9.00	7.50	6.19	0.94	8-0.75	8.66	53.8
		mm	292	229	190.5	157.2	24	8-19	220	
6"	150	in	14.00	11.0	9.50	8.50	1.00	4-0.88	10.12	83.8
		mm	356	279	241.5	216	25.5	8-22.5	257	
8"	200	in	19.50	13.50	11.75	10.62	1.12	8-0.88	11.50	141.3
		mm	495	343	298.5	270	29	8-22.5	292	
10"	250	in	24.5	16.00	14.25	12.75	1.19	12-1.00	13.78	190.5
		mm	622	406	362	324	30.5	12-25	350	
12"	300	in	27.50	19.00	17.00	15.00	1.25	12-1.00	15.60	292
		mm	699	483	432	381	32	12-25	398	

API Swing Check Valves

• API旋启式止回阀

主要外形尺寸和连接尺寸 Main Dimensions And Connection Dimensions

公称通径NPS		单位 unit	L	D	D1	D2	b	z-Φd	H	重量WT(kg)
mm	in									
CL300										
2"	50	in	10.50	6.5	5.0	3.62	0.88	8-0.75	7.06	21
		mm	267	165	127	92	22.5	8-19	179.5	
3"	80	in	12.50	8.25	6.62	5.00	1.12	8-0.88	8.36	47
		mm	318	210	168	127	29.0	8-22.5	212.4	
4"	100	in	14.00	10.00	7.88	6.19	1.25	8-0.88	9.69	69
		mm	356	254	200	157	32.0	8-22.5	246	
6"	150	in	17.50	12.50	10.62	8.50	1.44	12-0.88	11.50	133
		mm	445	317.5	269.7	216	37.0	12-22.5	292	
8"	200	in	21.00	15.00	13.00	10.62	1.62	12-1.00	12.91	165.5
		mm	533	381	330	270	41.5	12-25.5	328	
10"	250	in	24.50	17.50	15.25	12.75	1.88	16-1.12	14.9	208
		mm	622	444.50	387	324	48.0	16-28.5	378.6	
12"	300	in	28.00	20.50	17.75	15.00	2.00	16-1.25	16.53	296
		mm	711	521	451	381	51.0	16-32	420	
CL400										
2"	50	in	11.50	6.50	5.00	3.62	1.00	8-0.75	7.55	26
		mm	292	165	127	92	25.5	8-19	192	
3"	80	in	14.00	8.25	6.62	5.00	1.25	8-0.88	8.66	53
		mm	356	210	168	127	32	8-22.5	220	
4"	100	in	16.00	10.00	7.88	6.19	1.38	8-1.00	9.64	72
		mm	406	254	200	157	35	8-25.5	245	
6"	150	in	19.50	12.50	10.62	8.50	1.62	12-1.00	11.61	136.5
		mm	495	317.5	270	10.62	41.5	12-25.5	295	
8"	200	in	23.50	15.00	13.00	216	1.88	12-1.12	12.99	207.3
		mm	597	381	330	270	48	12-28.5	330	
10"	250	in	26.50	17.50	15.52	12.75	2.12	16-1.25	14.96	300.9
		mm	673	445	387	324	54	16-32	380	
12"	300	in	30.00	20.50	17.75	15.00	2.25	16-1.38	16.73	390
		mm	762	520	450.8	381	57.5	16-35	425	

主要外形尺寸和连接尺寸 Main Dimensions And Connection Dimensions

公称通径NPS		单位 unit	L	D	D1	D8	D2	b	z-Φd	H	重量WT(kg)
mm	in										
CL600											
2"	50	in	11.61	6.50	5.0	425	3.25	0.98	8-0.75	7.99	34
		mm	295	165	127.0	108	82.6	25	8-19	203	
3"	80	in	14.13	8.27	6.62	5.75	4.87	1.26	8-0.88	9.25	63
		mm	359	210	168.1	146	123.8	32	8-22	235	
4"	100	in	17.13	10.75	8.50	6.89	5.87	1.50	8-1.00	11.26	114
		mm	435	273	215.9	175	149.2	38	8-25	286	
6"	150	in	22.13	14.0	11.5	9.49	8.31	1.89	12-1.14	13.00	207
		mm	562	356	292.1	241	211.1	48	12-29	330	
8"	200	in	26.14	16.50	13.74	11.89	10.63	2.20	12-1.26	15.00	387
		mm	664	419	349.1	302	269.9	56	12-32	381	
10"	250	in	31.14	20.0	17.0	14.02	12.75	2.25	16-1.38	18.00	580
		mm	791	508	431.8	356	323.8	64	16-35	457	
12"	300	in	33.15	22.00	19.25	16.26	15.0	2.64	20-1.38	23.00	778
		mm	842	559	489	413	381.0	67	20-35	584	

注：如有产品参数疑问请致电上海电站阀门有限公司详询，电话：021-59222288

Note: If the product parameters, please call our company detailed inquiry, Tel: 021-59222288