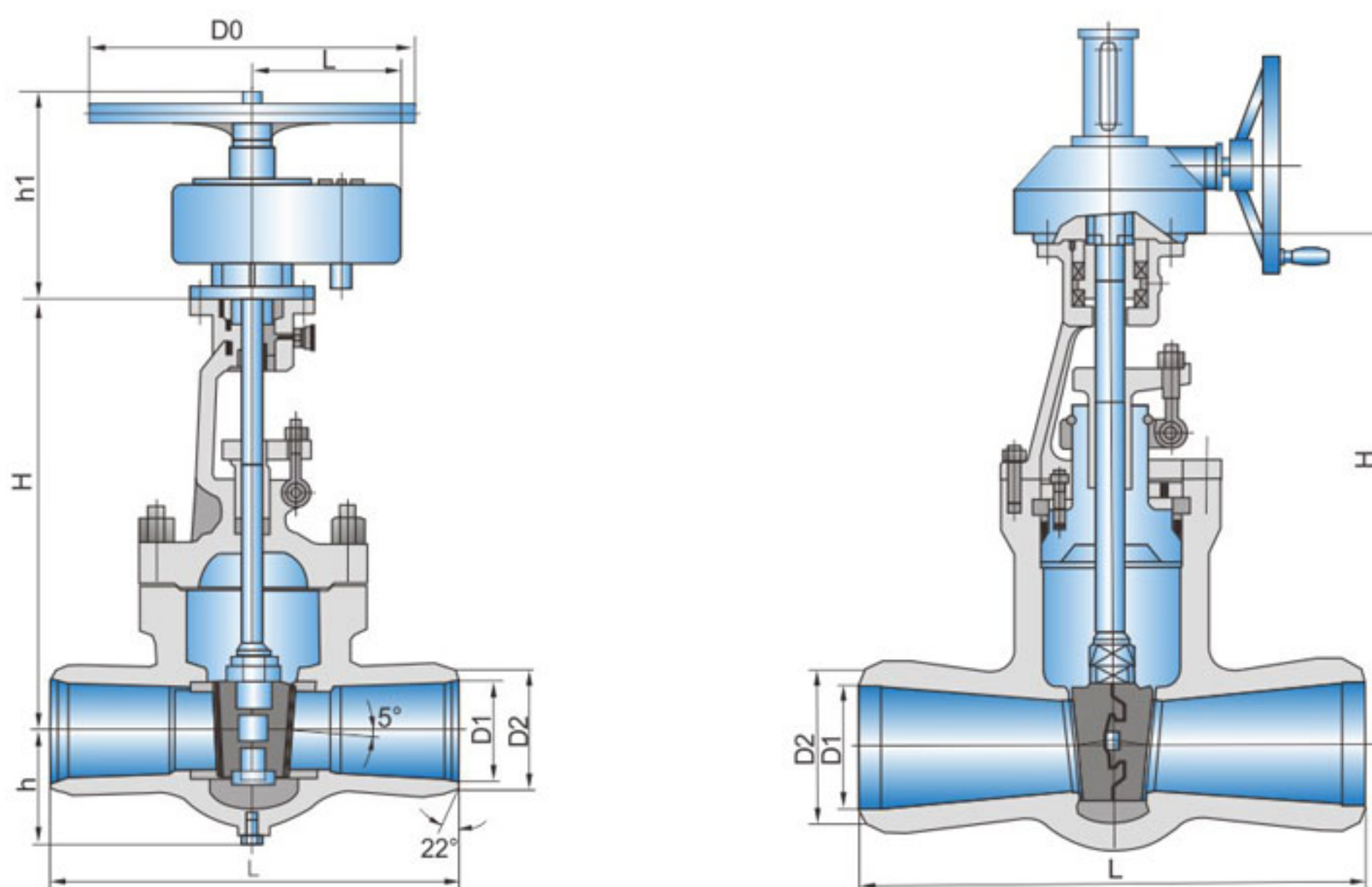


• 正/锥齿轮传动焊接闸阀



使用范围 Use Range

工作温度 Working temperature	-29°C~673°C
阀体材料 Body material	WCB, 20CrMoV, 15Cr1Mo1v, 15CrMo, WC6, WCB, F91, F92, WB36
适用介质 Applicable media	水、蒸汽 Water, steam

主要外形尺寸和连接尺寸 Main Dimensions And Connection Dimensions

型号 Model	公称通径DN(mm)	L	D1	D2
Z460Y-(200, P54100V) Z560Y-(200, P54100V) Z462Y-(200, P54100V) Z562Y-(200, P54100V) Z461Y-(200, P54100V) Z561Y-(200, P54100V)	150	650	164	200
	175	750	186	223
	200	750	200	262
	225	780/850	233	282
	250	950	275	325
	300	1050	312	380
	350	1150	366	430
	400	1200	410	470
	500	1400	500	570
	600	1550	580	640
Z460Y-(250, 320, P54100V, P55170V) Z560Y-(250, 320, P54100V, P55170V) Z462Y-(250, 320, P54100V, P55170V) Z562Y-(250, 320, P54100V, P55170V) Z461Y-(250, 320, P54100V, P55170V) Z561Y-(250, 320, P54100V, P55170V)	100	550	100	550
	125	600	129	168
	150	650	150	200
	175	750	170	223
	200	750	200	262
	225	780/850	220	282
	250	950	265	325
	300	1050	305	380
	350	1150	366	430
	400	1200	410	470
	500	1400	500	570
	600	1550	580	640